

rolldolly®



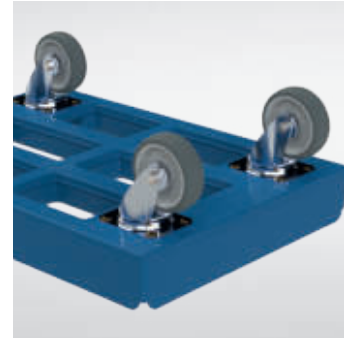
86

For further information
about the rolldolly® please
visit our website
www.feil.eu

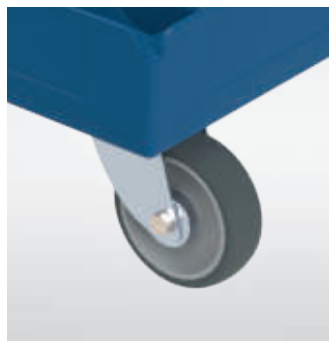


rolldolly®

The name is to the point. Rolldolly stands for quality, durability and need-based configuration. The diversity of variants offers a huge product range. Use the advantages of the particular rolldolly made of plastic, aluminium, steel or stainless steel.



LOGISTIC SOLUTIONS for special DEMANDS



huge range of WHEELS AND CASTORS

122

rolltainer®

nestainer®

METAL ROLL CONTAINERS

LAUNDRY CONTAINERS

rolldolly®

CARGO SYSTEMS

SPECIAL APPLICATIONS

WHEELS AND CASTORS



ACCESSORIES



 615 x 415 x 175 mm
  250 kg
  plastic

rollidolly® LIGHT

- plastic bottom made of high-quality ABS-material
- with four bolt hole swivel castors, ø 100 mm, wheel center / tread: polypropylene / thermopl. rubber
- assembling of the castors with bolt hole: one screw per castor
- different castors possible on request
- standard colours available in traffic red, similar to RAL 3020, and traffic blue, similar to RAL 5017
- other RAL-colours possible on request

	rollidolly® light	
	 615 x 415 x 175 mm	 607 x 407 x 23 mm
	traffic red, similar to RAL 3020	traffic blue, similar to RAL 5017
version open	M410610ABS3020OBLB7	M410610ABS5017OBLB7
version grid	M410610ABS3020RBLB7	M410610ABS5017RBLB7
version closed	M410610ABS3020GBLB7	M410610ABS5017GBLB7





 610 x 410 x 190 mm

 300 kg

 plastic

rolldolly® CLASSIC & FAVORIT

- plastic bottom made of high-quality HDPE-material, version „favorit“ with closed underfloor shape
- ideal securing of the plastic boxes through double safety edge
- easy handling of the empties through build-in stacking holes
- with four swivel castors, \varnothing 100 mm, wheel center / tread: polypropylene / thermopl. rubber
- assembling of the castors with plate: 4 screws per castor
- for trapezoid refillable containers optionally available: adapter frame made of 2 mm thick, galvanized sheet steel
- printing of the front side and long side possible
- available in colours flame red similar to RAL 3000, gentian blue similar to RAL 5010, light blue similar to RAL 5012, telegrey similar to RAL 7046 and black similar to RAL 9005

rolldolly® classic & favorit

 610 x 410 x 190 mm

 602 x 402 x 15 mm

classic*	F92702PE30000L029
favorit*	F92601PE30000L029
adapter frame	ARTR400600CM



* The rolldolly® classic & favorit is apart from the standard colour flame red, similar to RAL 3000, also available in the following colours: gentian blue similar to RAL 5010, light blue similar to RAL 5012, telegrey similar to RAL 7046 and black similar to RAL 9005. To generate the correct colour code, please replace the corresponding digits in the item number. (Ex.: in item number „F92702PE30000L029“ „3000“ stands for flame red.)

rolldolly® XL

CLASSIC & FAVORIT



UP TO
500 KG LOAD CAPACITY

The rolldolly® XL is designed and optimized for the transport of Euronorm boxes. With up to 500 kg load capacity in an area of 600 x 800 mm it is one of the biggest in the sector. However, its potential is not yet exhausted with these features.



TECHNICAL HIGHLIGHTS

- plastic surface made of high-quality HDPE
- double stacking edge for optimal transport of boxes
- build-in stacking holes for safe and easy handling of empties
- drains ensure quick cleaning
- recessed grips ease the working with the rolldolly®
- The FAVORIT offers with its closed subfloor a HACCP conform logistic
- printing possible on both front sides

rolldolly® XL classic & favorit

612 x 814 x 195 mm

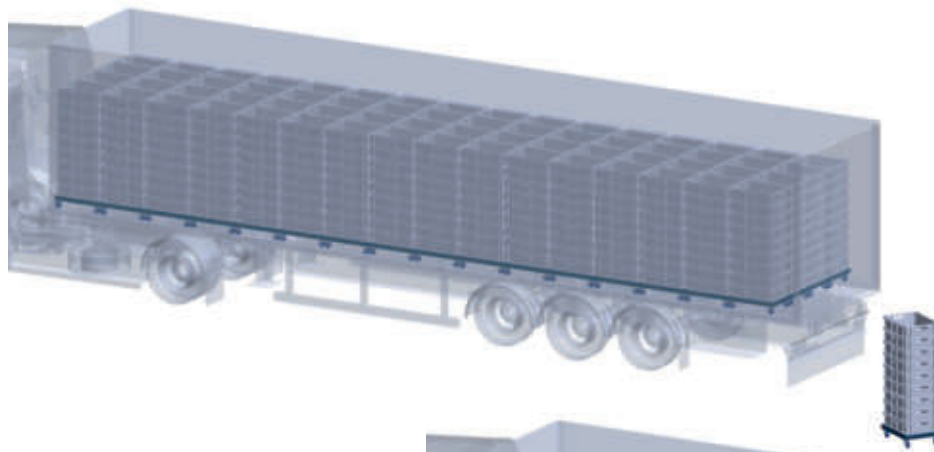
100 mm TPR castors, 300 kg load capacity

E50000PE250100L025

125 mm PA / PU castors, 500 kg load capacity

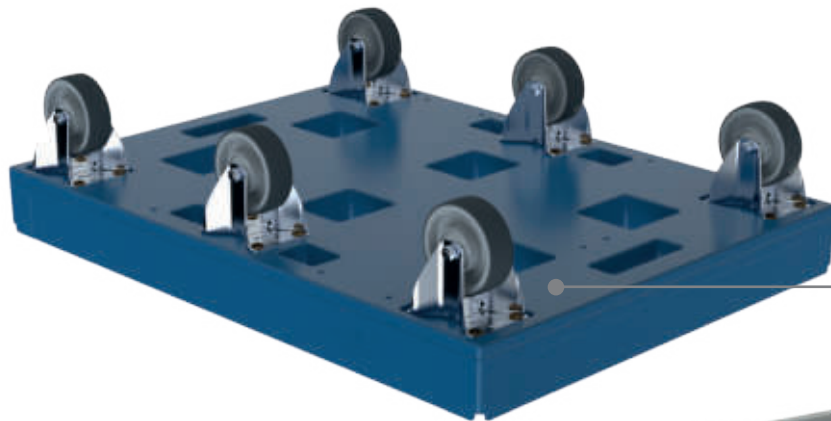
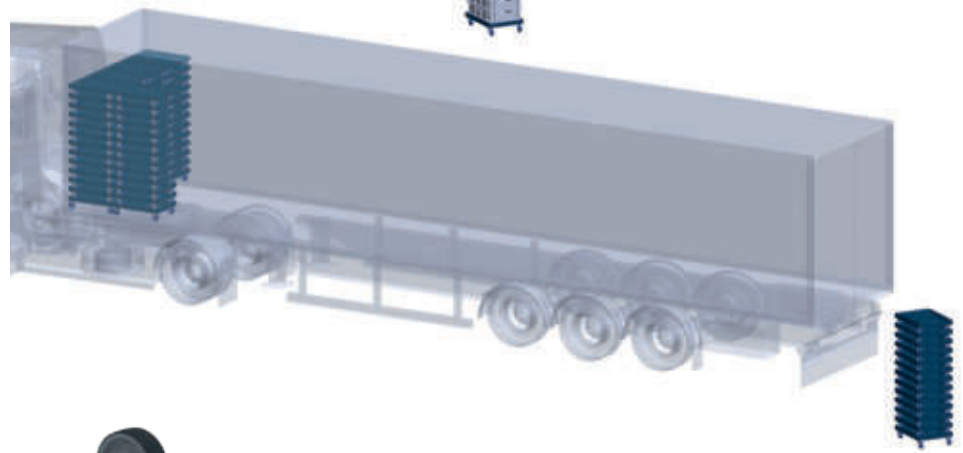
E50000PE250100L0G5

90




The basic measurement is designed for the ideal utilization of the trucks loading space.


As a result of the excellent stacking, only very few space is needed on the truck for the return of the empty rolldolly XL.



The type FAVORIT has a closed underfloor shape and can be used in areas with high hygienic requirements.

TECHNICAL DATA

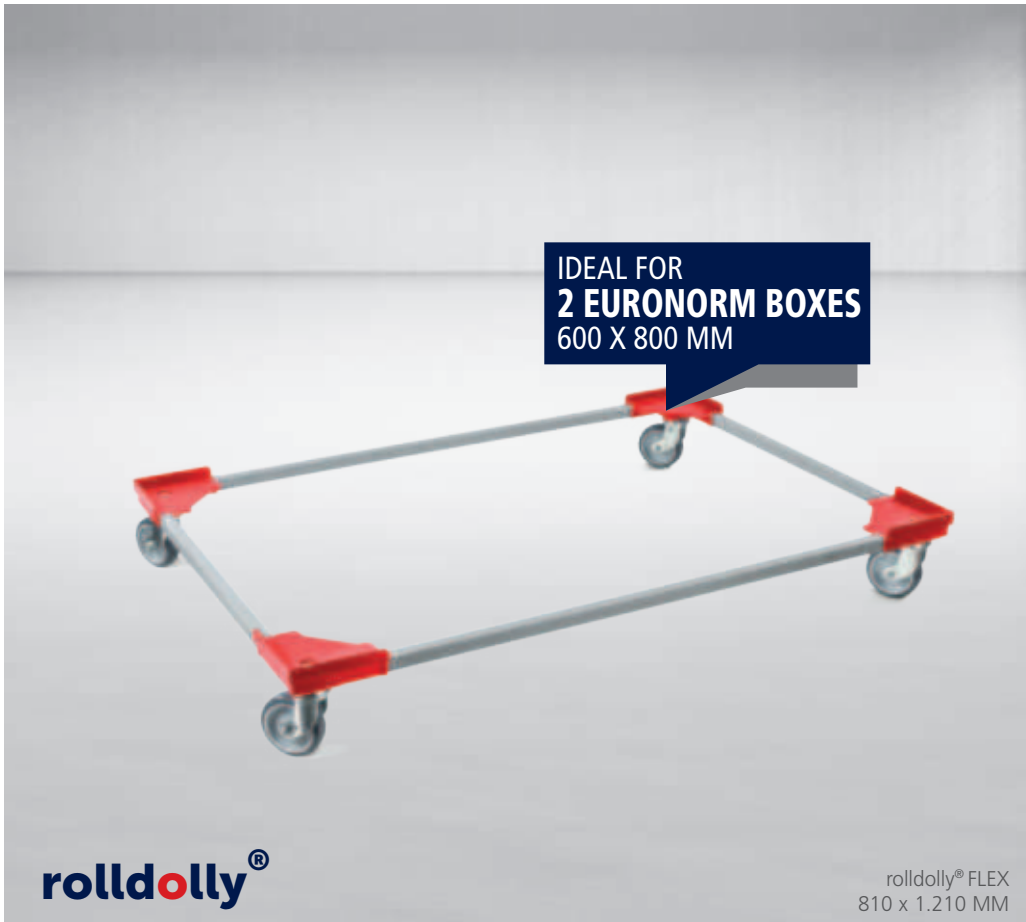
 612 x 814 x 195 mm

 300 / 500 kg

 plastic



With the type FAVORIT three rows of fixed castors can be mounted. The middle row is positioned lower and serves as rotation point.



300 kg steel / plastic

rollidolly® FLEX

- steel profile frame with four plastic corners, red
- with four bolt hole swivel castors, ø 100 mm, wheel center / tread: polypropylene / thermopl. rubber
- assembling of the castors with bolt hole: one screw per castor
- different special dimensions possible on request

	rollidolly® FLEX
310 x 410 x 175 mm 303 x 403 x 20 mm	M310410S3020BLB7
610 x 410 x 175 mm 603 x 403 x 20 mm	M410610S3020BLB7
610 x 810 x 175 mm 603 x 803 x 20 mm	M610810S3020BLB7
810 x 1.210 x 175 mm 803 x 1.203 x 20 mm	M8101210S3020BLB7



FUNCTIONAL HELPERS IN EVERY AREA



rolltainer®

nestainer®

METAL ROLL
CONTAINERS

LAUNDRY
CONTAINERS

rolldolly®

CARGO
SYSTEMS

SPECIAL
APPLICATIONS

WHEELS AND
CASTORS

ACCESSORIES



rolldolly®

416 X 618 MM
WITH TPR AND PP CASTORS



416 X 618 MM
WITH TPR AND PP CASTORS



IDEAL FOR
EURONORM BOXES

 418 x 618 x 132 mm

 150 kg

 aluminium

rolldolly® ALU

- rolldolly made of untreated aluminium-angle section
- with four swivel castors, ø 80 mm, wheel center / tread: polypropylene with full covering metal threadguard or polypropylene / thermopl. rubber
- assembling of the castors with bolt hole: one screw per castor
- all around safety edge, ideal for the transportation of Euronorm boxes

ALU ø 80 polypropylene black with full covering metal threadguard

ALU ø 80 polypropylene, tread: thermopl. rubber grey

rolldolly® alu

 409 x 609 x 20 mm

ATR420618031

ATR420618033



300 kg stainless steel

rolldolly® STAINLESS STEEL

- welded stainless steel-frame, front sides made of section tube, long sides made of stainless steel sheet
- three wheels per long side
- six wheels, ø 125 mm, wheel center / tread: polyamide, stainless steel plain bearing, screwed stainless steel axis
- middle wheels are in a lower position, the rolldolly can be rotated on the spot and can easily be slid over an edge

		rolldolly® stainless steel
410 x 655 x 170 mm 405 x 603 x 25 mm		ETR4106550H7
615 x 860 x 170 mm 605 x 803 x 25 mm		ETR6158830H7



 steel

rolldolly® STEEL

rolldolly ME 313 x 413 mm

- rolldolly made of steel, surface powder coated gentian blue similar to RAL 5010
- with three swivel and one swivel castor with total brake, ø 100 mm, wheel center / tread: polyamide / elastic
- assembling of the castors with plate

pallet frame ME 800 x 1200 mm

- pallet frame made of steel, surface hot-dipped
- with two swivel and two swivel castors with total brake, ø 125 mm, wheel center / tread: polypropylene
- assembling of the castors with plate

	rolldolly® steel
rolldolly ME, 300 kg  313 x 413 x 168 mm  305 x 405 x 36 mm	STR4133135010012
pallet frame ME, 500 kg  810 x 1.210 x 213 mm  802 x 1202 x 46 mm	MBR8221220F016



**THE RIGHT SIZE
FOR EVERY DEMAND**

rolldolly®

 200 kg - 1200 kg

 wood with non-slip coating



600 X 300 MM
Ø 100 MM POLYPROPYLENE
CASTORS



800 X 600 MM
Ø 125 MM SOLID RUBBER
CASTORS

FURNITURE DOLLY

- wooden base multiplex plywood with full covering non-slip coating
- with four swivel castors, different diameter and treads possible

	furniture dolly	packing unit
600 x 300 mm, Ø 75 mm thermopl. rubber castors	MR60030075G	2 pieces
600 x 300 mm, Ø 100 mm solid rubber castors	MR600300100G	2 pieces
600 x 300 mm, Ø 100 mm polypropylene castors	MR600300100P	2 pieces
600 x 350 mm, Ø 100 mm solid rubber castors	MR600350100G	2 pieces
600 x 350 mm, Ø 100 mm polypropylene castors	MR600350100P	2 pieces
600 x 400 mm, Ø 125 mm solid rubber castors	MR600400125G	1 piece
600 x 600 mm, Ø 200 mm solid rubber castors	MR600600200G	1 piece
600 x 600 mm, Ø 125 mm polyurethane castors	MR600600125PU	1 piece
800 x 600 mm, Ø 125 mm solid rubber castors	MR800600125G	1 piece
480 x 720 mm, Ø 100 mm solid rubber castors	MR480720100GG	1 piece



FEIL rolltainer GmbH

**Hankerfeld 8
59602 R then
Germany**

**phone: +49 2952 - 970958-80
fax: +49 2952 - 970958-29**

**e-mail: info@feil.eu
web: www.feil.eu**